

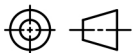
1

2

3

4

THIRD ANGLE PROJECTION

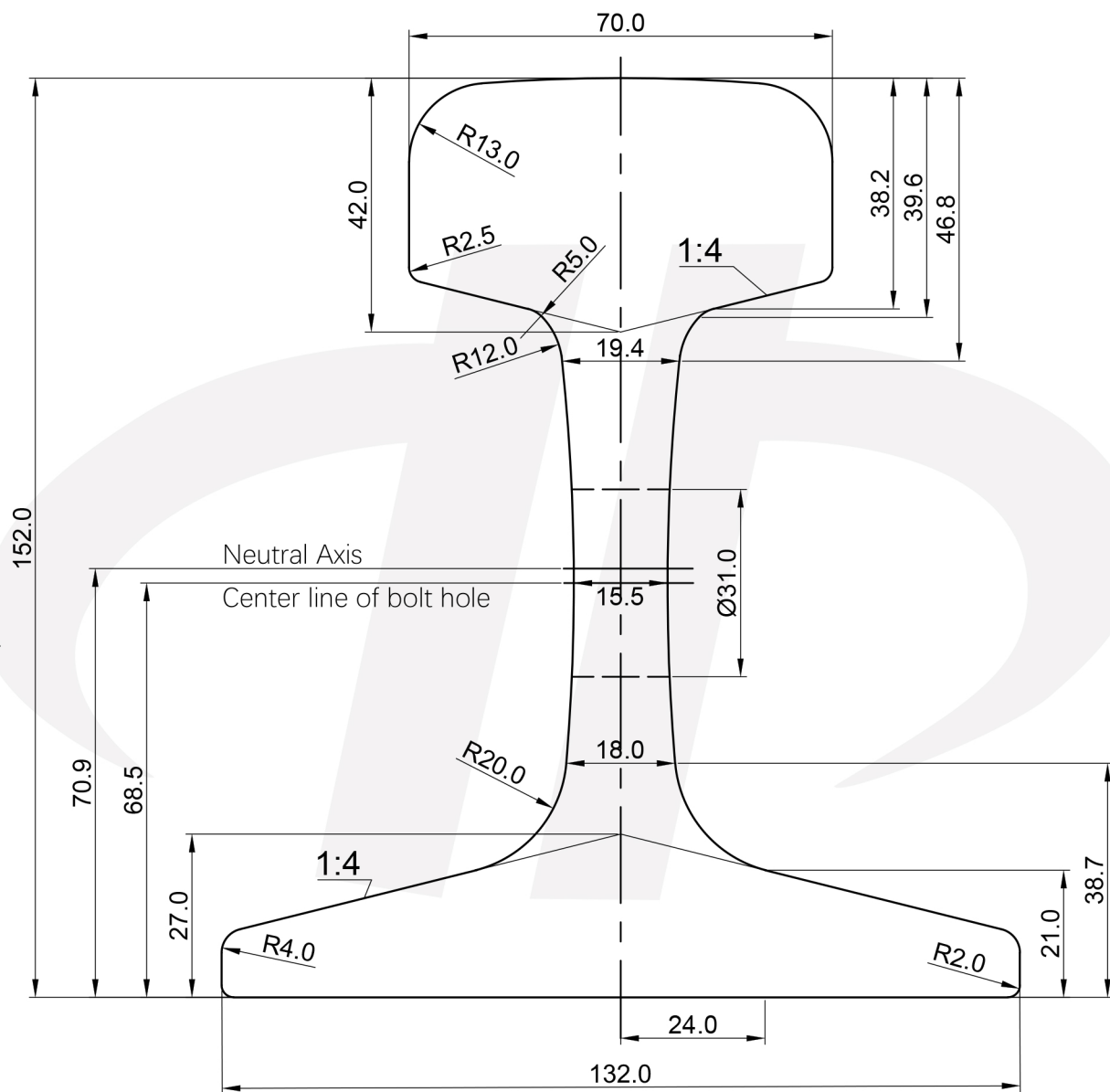


FOR GUIDANCE ONLY
THIS INFORMATION HAS BEEN
PROVIDED IN GOOD FAITH BUT
SPECIFICATIONS DO CHANGE

EDITION 20171122

Date 2017/11/22

Scale 1:1 @ A4



Note: The drawing specifications are drawn by AutoCAD software and are accurate at the time of this drawing issue. These figures may differ slightly from those published in the standard for the rail



ZX STEEL GROUP

Henan Zongxiang Heavy Industry
Import & Export Co., Ltd

Address: No. 2234, 22nd Floor, No. 1 Mall,
Shangdu Road, Zhengzhou New District,
Zhengzhou, Henan Province, China.
Tel : +86 371 53396695
+86 17737153210
Web : www.zxsteelrail.com
Email : zxsteel@zxsteelgroup.com

Rail Designation	50 KG
Rail Origin	CHINA
Standard	GB 2585 - 2007
Area of section	65.8 cm ²
Calculated Mass	51.514 kg/m
Material	50Mn / U71Mn
Length	

The technical data contained in this drawing is the property of
Henan Zongxiang Heavy Industry Import & Export Co., Ltd

1

4